

4

3

2

1

REVISION HISTORY			
REV	DESCRIPTION	DATE	APPROVED
1	RELEASE FOR PILOT(C17026)	2015/6/12	WY
A	RELEASE FOR PRODUCTION(C17215)	2015/7/14	WY

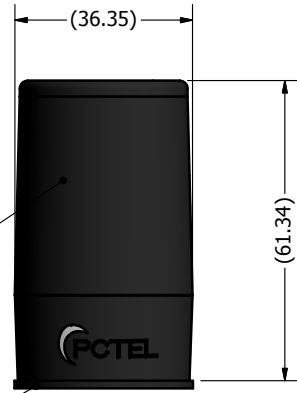
NOTES: UNLESS OTHERWISE SPECIFIED

1. INTERPRET DRAWING PER ANSI/ASME Y14.5
2. ALL MATERIALS SHALL BE ROHS COMPLIANT.
3. PARTS SHALL BE PACKAGED TO PREVENT DAMAGE IN SHIPMENT AND HANDLING.
4. AN [X] DIM IDENTIFIES A KEY CHARACTERISTIC AND MAY REQUIRE Cpk STUDY AS OUTLINED IN PCTEL CQR. A COMPLETE 1ST ARTICLE LAYOUT SHALL BE SUBMITTED WITH INITIAL ORDER. A (REF) DIMENSION IS FOR INFORMATION PURPOSES ONLY AND NO TOLERANCE IS IMPLIED.
5. SUPPLIER SHALL REVIEW AND COMPLETE AND SIGN SUPPLIER INPUT/ PRINT ACCEPTANCE BLOCK.

ELECTRICAL SPECIFICATIONS.


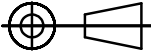
1. FREQUENCY RANGE: 3400-4200 MHz
2. NOMINAL IMPEDANCE: 50 Ohms
3. VSWR MAX [X] < 2.0:1

MONOPOLE ANTENNA
(INTERNAL COMPONENTS: COPPER BASE MATERIAL
RADOME: POLYESTER + POLYCARBONATE MATERIAL)



NEOPRENE WASHER
.060" THICK



SUPPLIER PRINT ACCEPTANCE: <input type="checkbox"/> Accept drawing/specification. No changes needed: <input type="checkbox"/> This part is RoHS compliant <input type="checkbox"/> This part is REACH compliant <input type="checkbox"/> Accept drawing/specification. Notes/Mark-ups added <input type="checkbox"/> Cannot accept drawing/spec. Notes/Mark-ups added Supplier Projected Outgoing Quality: SIGMA LEVEL : _____ or PPM: _____ Signature _____ Date: _____		UNLESS OTHERWISE SPECIFIED DIMENSIONS ARE IN MILLIMETERS FOR TOLERANCES NOT SPECIFIED USE: [X mm ± 3 mm] [X.X mm ± .3 mm] [X.XX mm ± .13 mm] ANGULAR ± 1°		DRAWN DATE WY 2015/6/12 CHECKED DATE FZ 2015/6/12 MATERIAL: SEE COMPONENT PRINTS FINISH: SEE COMPONENT PRINTS		 PCTEL, INC. 471 BRIGHTON DRIVE BLOOMINGDALE, IL 60108 PH. 630-372-6800 FAX. 630-372-8077	
THIRD ANGLE PROJECTION 				PCTEL PROPRIETARY DATA THE INFORMATION AND/OR DRAWINGS CONTAINED IN THIS DOCUMENT IS CONFIDENTIAL AND PROPRIETARY TO PCTEL, INC. AND MAY NOT BE USED, REPRODUCED, IN WHOLE OR IN PART, OR MODIFIED IN ANY WAY WITHOUT THE EXPRESS WRITTEN PERMISSION OF AN AUTHORIZED REPRESENTATIVE OF PCTEL, INC.		DESCRIPTION BMLPV3400-4200MHz	
DRAWING NO. ODD_BMLPV3800						SIZE B SCALE 1:1 SHEET 1 OF 1	

4

3

2

1

A

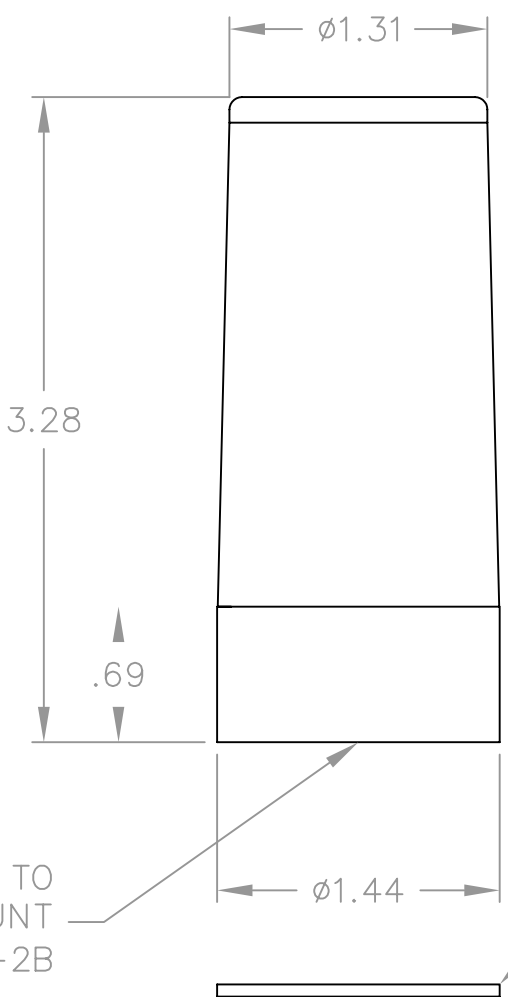
B

C

NOTES:

1. THIS DRAWING APPLIES TO THE MLPV406, MLPV430 AND MLPV450 SERIES ANTENNAS.

REVISIONS			
REV	DESCRIPTION	DRAWN/APPROVED/DATE	LOC



INTERFACE TO M STYLE MOUNT 1 1/8-18 UNEF-2B

.06 THICK NEOPRENE WASHER


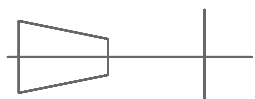
1

1

2

2

3

DIMENSION ARE IN INCHES		 PCTEL, INC. BROADBAND TECHNOLOGY GROUP 471 BRIGHTON DRIVE BLOOMINGDALE, IL 60108 PH. 630-372-6800 FAX. 630-372-8077
FOR TOLERANCES NOT SPECIFIED USE: X.X - ± 0.1, X.XX - ± 0.01, X.XXX - ± 0.005 ANGULAR ± 2°		
THIRD ANGLE PROJECTION		DESCRIPTION MLPV450
		DRAWING NO.
PROPRIETARY DATA THE INFORMATION CONTAINED IN THIS DOCUMENT IS OF A PROPRIETARY NATURE. IT MAY NOT BE USED OR REPRODUCED WITHOUT EXPRESS WRITTEN PERMISSION OF MAXRAD INC., HANOVER PARK, IL 60103		SIZE SCALE SHEET
CHECKED:	APPROVED:	
MATERIAL:	FINISH:	

A

B

C

4

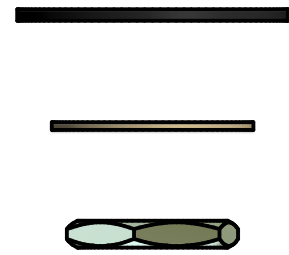
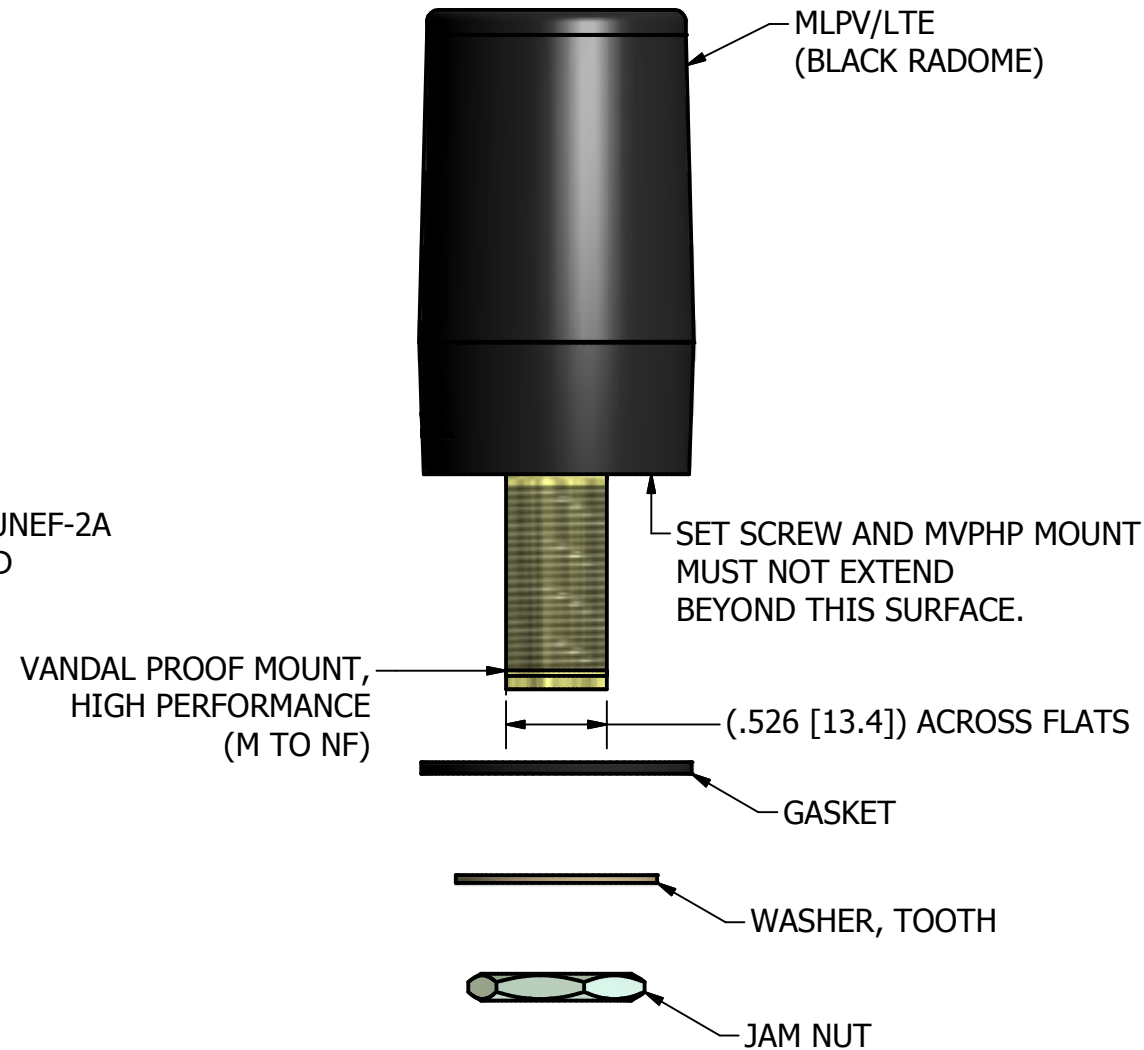
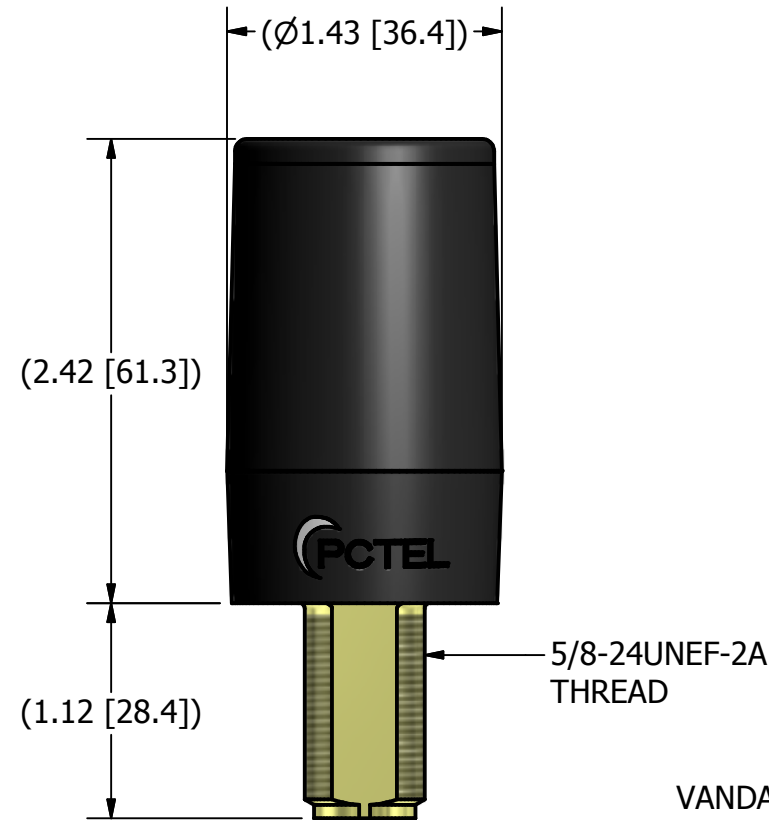
3


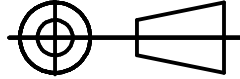
2

1

NOTES: UNLESS OTHERWISE SPECIFIED
 1. BUILD PER WORK INSTRUCTIONS
 2. TEST PER ANTENNA ELECTRICAL SPECIFICATIONS.
 (ANTENNA ONLY)
 FREQUENCY RANGE: 698-2700 MHz
 NOMINAL IMPEDANCE: 50 Ohms
 VSWR < 2.0:1
 NOMINAL GAIN: 3 dBi
 3. DIMENSIONS IN PARENTHESIS ARE FOR REFERENCE ONLY AND NO TOLERANCE IS IMPLIED.

REVISION HISTORY			
REV	DESCRIPTION	DATE	APPROVED
B	DRAWING RELEASED, COPIED FROM ODD_BMLPVMB-LTEVP-NL	22JUL15	IP



UNLESS OTHERWISE SPECIFIED DUAL DIMENSIONING XX.Xin [XX.Xmm] FOR TOLERANCES NOT SPECIFIED USE: X.X in ± .1 in, X.XX in ± .01 in, X.XXX in ± .005 in [X mm ± 3 mm], [X.X mm ± .3 mm], [X.XX mm ± .13 mm] ANGULAR ± 1°, FRACTIONAL ± 1/64	DRAWN IP DATE 7/22/2015	 PCTEL, INC. 471 BRIGHTON DRIVE BLOOMINGDALE, IL 60108 PH. 630-372-6800 FAX. 630-372-8077
	CHECKED DATE	
THIRD ANGLE PROJECTION 	MATERIAL: SEE COMP. PRINTS FINISH: SEE COMP. PRINTS	DRAWING NO. ODD_BMLPVMB/LTE-VP
PCTEL PROPRIETARY DATA THE INFORMATION AND/OR DRAWINGS CONTAINED IN THIS DOCUMENT IS CONFIDENTIAL AND PROPRIETARY TO PCTEL, INC. AND MAY NOT BE USED, REPRODUCED, IN WHOLE OR IN PART, OR MODIFIED IN ANY WAY WITHOUT THE EXPRESS WRITTEN PERMISSION OF AN AUTHORIZED REPRESENTATIVE OF PCTEL, INC.	SIZE B SCALE NA SHEET 1 OF 1	

4

3

2

1

4

3

2

1

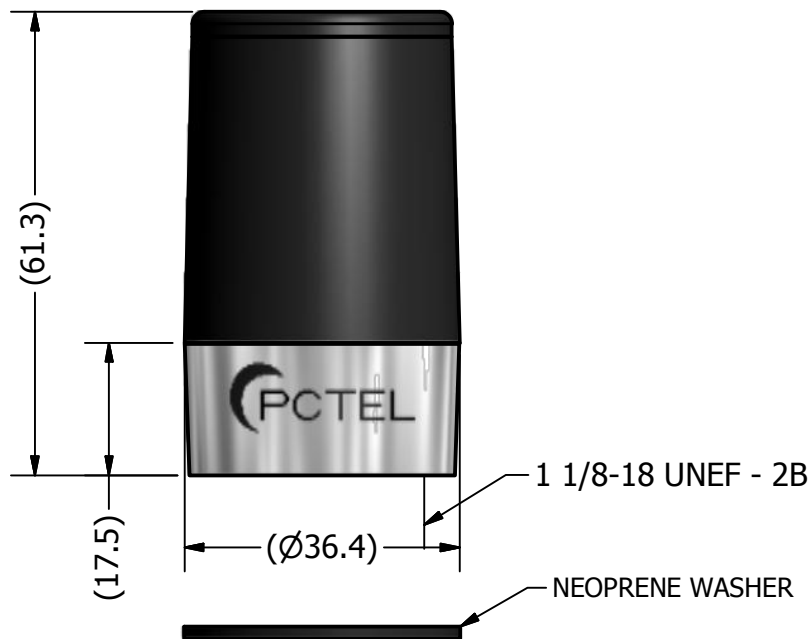
NOTES: UNLESS OTHERWISE SPECIFIED

- 1. ALL MATERIALS SHALL BE ROHS COMPLIANT.
- 2. DIMENSIONS IN PARENTHESIS ARE FOR REFERENCE ONLY AND NO TOLERANCE IS IMPLIED.

REVISION HISTORY			
REV	DESCRIPTION	DATE	APPROVED
G	OUTLINE DIMENSIONAL DRAWING	08SEP16	IP

B

B


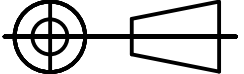


A

A

A

A

SUPPLIER PRINT ACCEPTANCE: <input type="checkbox"/> Accept drawing/specification: No changes needed: <input type="checkbox"/> This part is RoHS compliant <input type="checkbox"/> This part is REACH compliant <input type="checkbox"/> Accept drawing/specification. Notes/Mark-ups added <input type="checkbox"/> Cannot accept drawing/spec. Notes/Mark-ups added Supplier Projected Outgoing Quality: SIGMA LEVEL : _____or PPM: _____ Signature _____ Date: _____	UNLESS OTHERWISE SPECIFIED DIMENSIONS ARE IN MILLIMETERS FOR TOLERANCES NOT SPECIFIED USE: [X mm ± 3 mm] [X.X mm ± .3 mm] [X.XX mm ± .13 mm] ANGULAR± 1°	DRAWN IP DATE 9/8/2016 CHECKED _____ DATE _____	 PCTEL, INC. 471 BRIGHTON DRIVE BLOOMINGDALE, IL 60108 PH. 630-372-6800 FAX. 630-372-8077	
	THIRD ANGLE PROJECTION 	MATERIAL: SEE COMP. PRINTS FINISH: SEE COMP. PRINTS		DESCRIPTION 740-870 MHZ MLPV BLACK/CHROME
	PCTEL PROPRIETARY DATA THE INFORMATION AND/OR DRAWINGS CONTAINED IN THIS DOCUMENT IS CONFIDENTIAL AND PROPRIETARY TO PCTEL, INC. AND MAY NOT BE USED, REPRODUCED, IN WHOLE OR IN PART, OR MODIFIED IN ANY WAY WITHOUT THE EXPRESS WRITTEN PERMISSION OF AN AUTHORIZED REPRESENTATIVE OF PCTEL, INC.			DRAWING NO. ODD_MLPV700
	SIZE A	SCALE 1:1		SHEET 1 OF 1

4

3

2

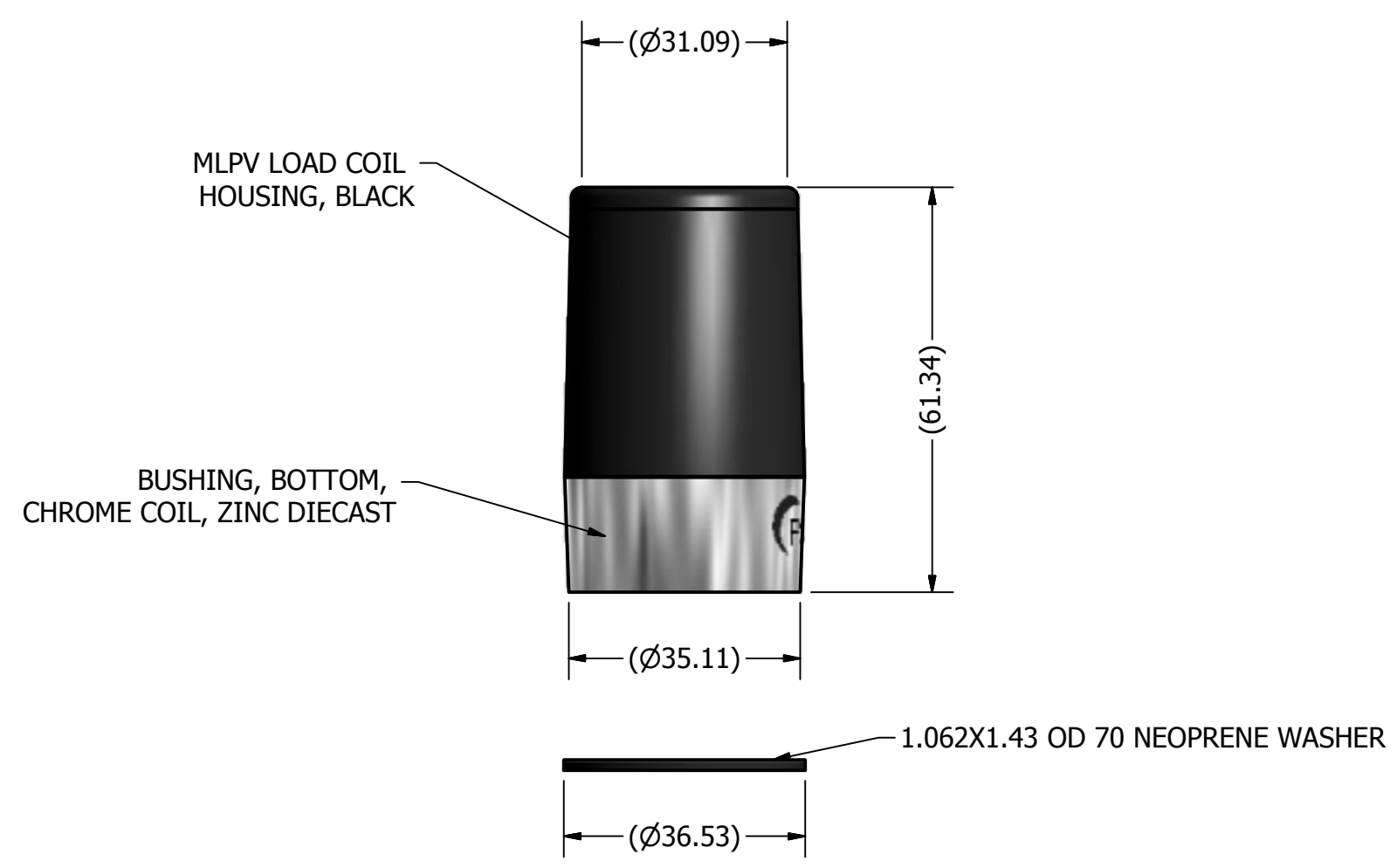
1

REVISION HISTORY			
REV	DESCRIPTION	DATE	APPROVED
1	LOW PROFILE VERTICAL 806-960 MHZ	9/29/2016	CE

B



A



B



A

SUPPLIER PRINT ACCEPTANCE: <input type="checkbox"/> Accept drawing/specification: No changes needed: <input type="checkbox"/> This part is RoHS compliant <input type="checkbox"/> This part is REACH compliant <input type="checkbox"/> Accept drawing/specification. Notes/Mark-ups added <input type="checkbox"/> Cannot accept drawing/spec. Notes/Mark-ups added Supplier Projected Outgoing Quality: SIGMA LEVEL : _____ or PPM: _____ Signature _____ Date: _____	UNLESS OTHERWISE SPECIFIED DIMENSIONS ARE IN MILLIMETERS FOR TOLERANCES NOT SPECIFIED USE: [X mm ± 3 mm] [X.X mm ± .3 mm] [X.XX mm ± .13 mm] ANGULAR± 1°	DRAWN: CE DATE: 8/5/2016 CHECKED: IP DATE: 9/29/2016 MATERIAL: SEE COMP. PRINTS FINISH: SEE COMP. PRINTS	PCTEL, INC. 471 BRIGHTON DRIVE BLOOMINGDALE, IL 60108 PH. 630-372-6800 FAX. 630-372-8077
	THIRD ANGLE PROJECTION 	PCTEL PROPRIETARY DATA THE INFORMATION AND/OR DRAWINGS CONTAINED IN THIS DOCUMENT IS CONFIDENTIAL AND PROPRIETARY TO PCTEL, INC. AND MAY NOT BE USED, REPRODUCED, IN WHOLE OR IN PART, OR MODIFIED IN ANY WAY WITHOUT THE EXPRESS WRITTEN PERMISSION OF AN AUTHORIZED REPRESENTATIVE OF PCTEL, INC.	

4

3



2

1

4

3

2

1

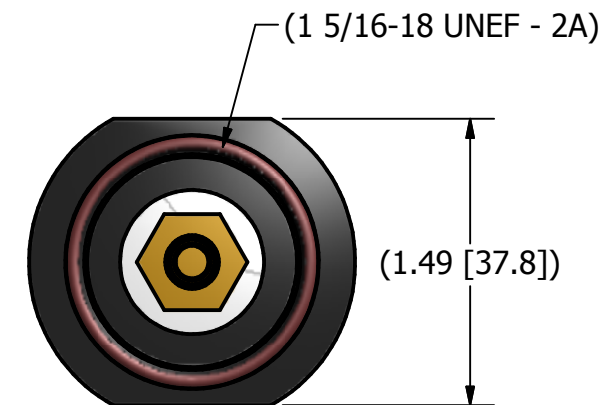
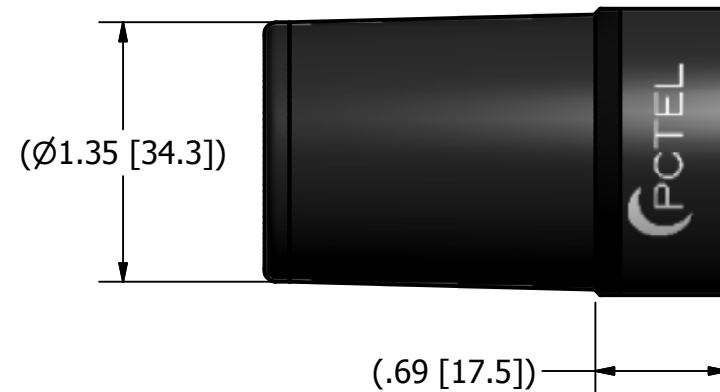
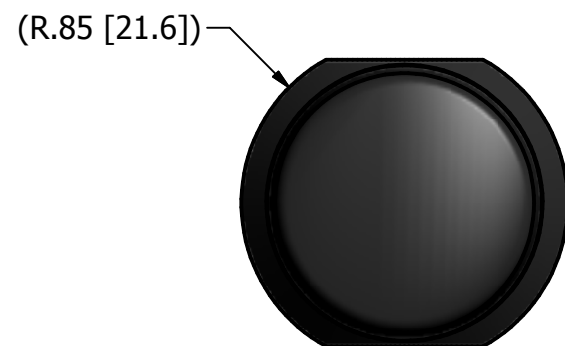
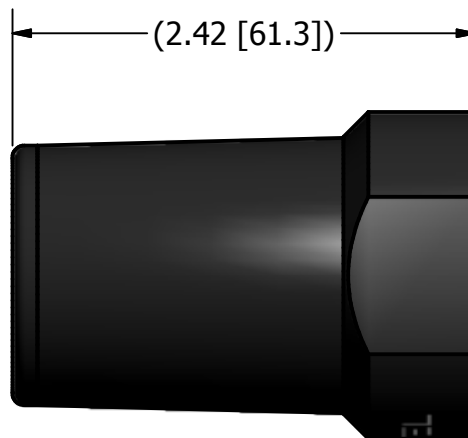
NOTES: UNLESS OTHERWISE SPECIFIED

- 1. TEST PER ANTENNA ELECTRICAL SPECIFICATIONS.
(SEE PCTEL CATALOG FOR DETAIL)
FREQUENCY RANGE: 806 - 960 MHz
NOMINAL IMPEDANCE: 50 Ohms
NOMINAL GAIN: 3 dBi
VSWR (MAX) < 2.0:1
- 2. DIMENSIONS IN PARENTHESIS ARE FOR REFERENCE ONLY AND NO TOLERANCE IS IMPLIED.

REVISION HISTORY			
REV	DESCRIPTION	DATE	APPROVED
H	OUTLINE DIMENSIONAL DRAWING RELEASED	25FEB14	AB

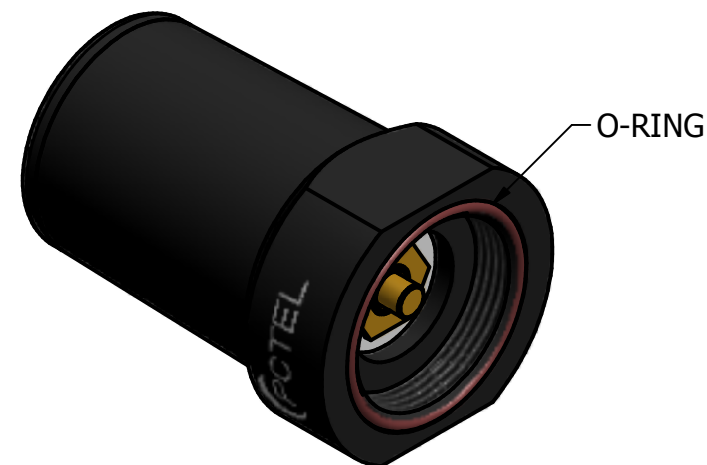
B

B



A

A



A

A

4

3

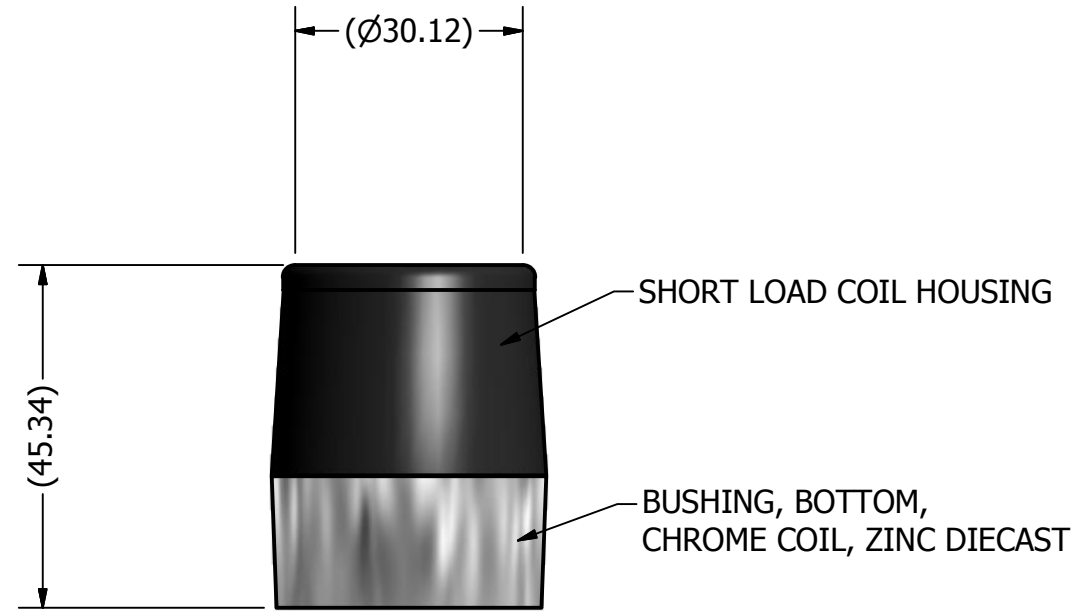
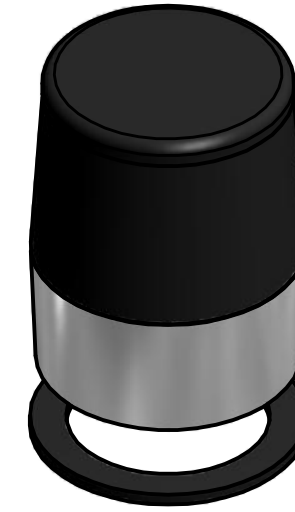
4

2


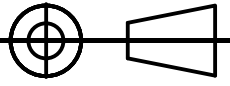
1

UNLESS OTHERWISE SPECIFIED DUAL DIMENSIONING XX.Xin [XX.Xmm] FOR TOLERANCES NOT SPECIFIED USE: X.X in ± .1 in, X.XX in ± .01 in, X.XXX in ± .005 in [X mm ± 3 mm], [X.X mm ± .3 mm], [X.XX mm ± .13 mm] ANGULAR ± 1°, FRACTIONAL ± 1/64	DRAWN IP DATE 2/25/2014	PCTEL, INC. 471 BRIGHTON DRIVE BLOOMINGDALE, IL 60108 PH. 630-372-6800 FAX. 630-372-8077
	CHECKED DATE	
THIRD ANGLE PROJECTION 	MATERIAL: SEE COMP. PRINTS FINISH: SEE COMP. PRINTS	DESCRIPTION LOW RPOFILE VERTICAL, 806-960 MHz, BLACK, HEAVY DUTY
PCTEL PROPRIETARY DATA THE INFORMATION AND/OR DRAWINGS CONTAINED IN THIS DOCUMENT IS CONFIDENTIAL AND PROPRIETARY TO PCTEL, INC. AND MAY NOT BE USED, REPRODUCED, IN WHOLE OR IN PART, OR MODIFIED IN ANY WAY WITHOUT THE EXPRESS WRITTEN PERMISSION OF AN AUTHORIZED REPRESENTATIVE OF PCTEL, INC.		DRAWING NO. ODD_BMLPV800HD
SIZE B	SCALE 1:1	SHEET 1 OF 1

REVISION HISTORY			
REV	DESCRIPTION	DATE	APPROVED
1	MLPVD800/1900 Short Housing	2/12/2016	CE



1.062X1.43 OD 70NEOPRENE WASHER

SUPPLIER PRINT ACCEPTANCE: <input type="checkbox"/> Accept drawing/specification: No changes needed: <input type="checkbox"/> This part is RoHS compliant <input type="checkbox"/> This part is REACH compliant <input type="checkbox"/> Accept drawing/specification. Notes/Mark-ups added <input type="checkbox"/> Cannot accept drawing/spec. Notes/Mark-ups added Supplier Projected Outgoing Quality: SIGMA LEVEL : _____ or PPM: _____ Signature _____ Date: _____	UNLESS OTHERWISE SPECIFIED DIMENSIONS ARE IN MILLIMETERS FOR TOLERANCES NOT SPECIFIED USE: [X mm ± 3 mm] [X.X mm ± .3 mm] [X.XX mm ± .13 mm] ANGULAR ± 1°	DRAWN: CE DATE: 8/5/2016 CHECKED: IP DATE: 8/8/2016 MATERIAL: SEE COMP. PRINTS FINISH: SEE COMP. PRINTS	 PCTEL, INC. 471 BRIGHTON DRIVE BLOOMINGDALE, IL 60108 PH. 630-372-6800 FAX. 630-372-8077
	THIRD ANGLE PROJECTION 	PCTEL PROPRIETARY DATA THE INFORMATION AND/OR DRAWINGS CONTAINED IN THIS DOCUMENT IS CONFIDENTIAL AND PROPRIETARY TO PCTEL, INC. AND MAY NOT BE USED, REPRODUCED, IN WHOLE OR IN PART, OR MODIFIED IN ANY WAY WITHOUT THE EXPRESS WRITTEN PERMISSION OF AN AUTHORIZED REPRESENTATIVE OF PCTEL, INC.	

4

3

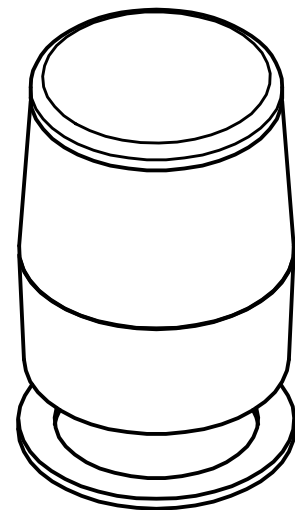
2

1

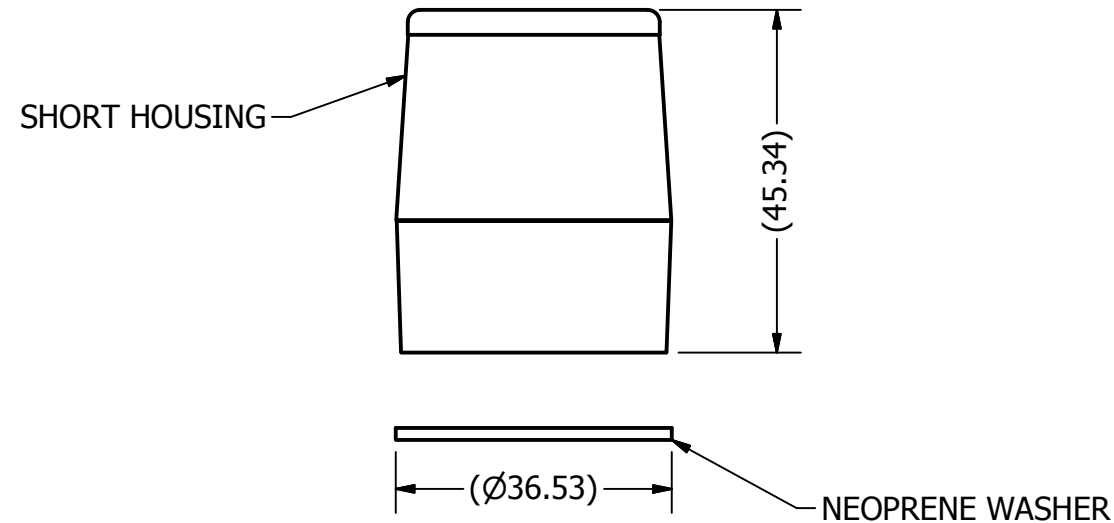
REVISION HISTORY			
REV	DESCRIPTION	DATE	APPROVED
F	OUTLINE DIMENSIONAL DRAWING RELEASED	2/2/2017	CE

NOTES: UNLESS OTHERWISE SPECIFIED

- 1. A (REF) DIMENSION IS FOR INFORMATION PURPOSES ONLY AND NO TOLERANCE IS IMPLIED.



ISO-VIEW
SCALE 1 : 1



SUPPLIER PRINT ACCEPTANCE:

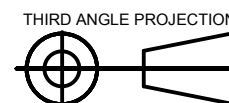
- Accept drawing/specification:
No changes needed:
 - This part is RoHS compliant
 - This part is REACH compliant
 - Accept drawing/specification.
Notes/Mark-ups added
 - Cannot accept drawing/spec.
Notes/Mark-ups added
- Supplier Projected Outgoing Quality:

SIGMA LEVEL : _____ or PPM: _____

Signature _____ Date: _____

UNLESS OTHERWISE SPECIFIED
DIMENSIONS ARE IN MILLIMETERS

FOR TOLERANCES NOT SPECIFIED USE:
 [X mm ± 3 mm] [X.X mm ± .3 mm]
 [X.XX mm ± .13 mm] ANGULAR± 1°



PCTEL PROPRIETARY DATA

THE INFORMATION AND/OR DRAWINGS CONTAINED IN THIS DOCUMENT IS
 CONFIDENTIAL AND PROPRIETARY TO PCTEL, INC. AND MAY NOT BE USED,
 REPRODUCED, IN WHOLE OR IN PART, OR MODIFIED IN ANY WAY WITHOUT
 THE EXPRESS WRITTEN PERMISSION OF AN AUTHORIZED
 REPRESENTATIVE OF PCTEL, INC.

DRAWN DATE
CE 2/2/2017

CHECKED DATE
IP 2/2/2017

MATERIAL: **SEE COMP.
PRINTS**

FINISH: **SEE COMP.
PRINTS**



PCTEL, INC.
 471 BRIGHTON DRIVE
 BLOOMINGDALE, IL 60108
 PH. 630-372-6800
 FAX. 630-372-8077

DESCRIPTION **DUAL BAND MLPV 2.4-2.5 GHZ/ 4.9-5.8 GHZ**

DRAWING NO. **MLPVDB2458_ODD**

SIZE	SCALE	SHEET
B	1:1	1 OF 1

4

3

2

1